

DECK HARDWARE

Mainsheet system 50 mm



T610900



T610920



T610901



T610921



T610902



T610932



T620905



T620906

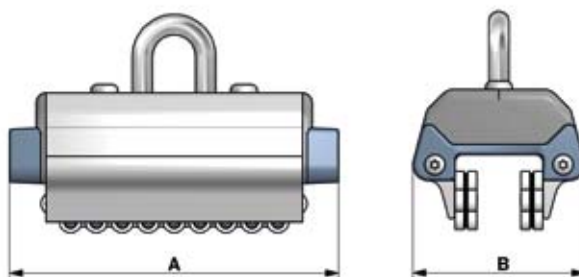


T610992



T630501

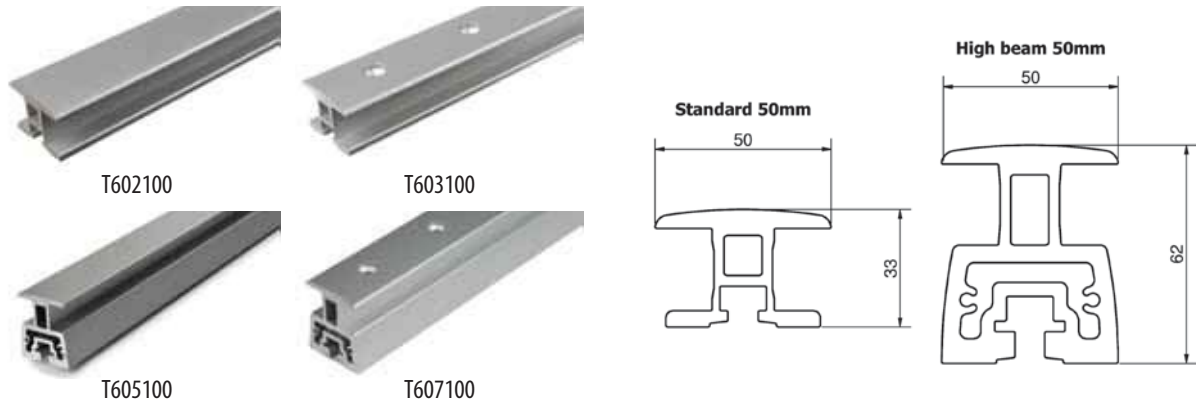
All mainsheet travellers, endstops and tracks are available in black, anodized aluminium.



Travellers		A	B	Safe working load [kg]	Breaking load [kg]	Weight [gr]
Part no	Product description	Length [mm]	Width [mm]			
T610900	Short car with shackle	130	73	2000	5000	645
T610920	Short car with stand-up	130	73	2000	5000	690
T610901	Standard car with shackle and sheaves	164	73	2000	5000	825
T610921	Standard car with stand-up and sheaves	164	73	2000	5000	850
T610902	Long car with double shackles and sheaves	235	73	3000	6800	1270
T610932	Long car with double stand-ups and sheaves	235	73	3000	6800	1360
T610992	Long car with 2 x 80mm sheaves	174	73	3000	5000	1205
T630501	Control line end stops with sheaves	88	73	-	-	510
T620905	Adjustable plunger stoppers	58	61	-	-	420
T620906	Fixed plunger stoppers	58	61	-	-	320

All end stops are packed in pairs

Tracks



Tracks

Part no	Product description	Width [mm]	Height [mm]	Hole spacing [mm]	Fasteners	Weight [gr/m]
T602100	50 mm sliding bolt*	50	33,4	-	M8	1050
T603100	50 mm stop hole	50	33,4	75	M8	1000
T605100	50 mm high beam sliding bolt*	50,3	62	-	M8	3350
T607100	50 mm high beam stop hole	50,3	62	75	M8	3240

* Special washers required for installation, Part no. T609008

Tracks are available in a maximum length of 6000mm and bolts required are M8 (50mm)

Accessories



Accessories mainsheet system 50mm

Part no	Product description	Weight [gr]
T620352	Sheave control line and cleat	360
T620351	Single sheave control line	120
T620353	Double sheave control line	230
T620901	Plastic end caps	100
T620902	Plastic end caps high beam track	20
T600002	Spare stand-up kit	130
T609008	Sealant washers	1
T310503	Roll-links (20 rolls) that fit travellers T610900, T610902, T610920, T610932	37
T310506	Roll-links (24 rolls) that fit travellers T610901, T610921 and T610992.	44
T609018	Square washers for 50mm high beam track	14

